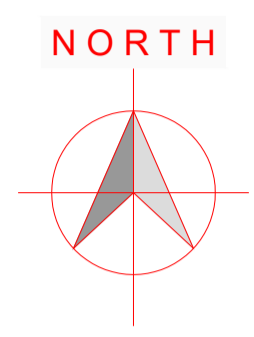
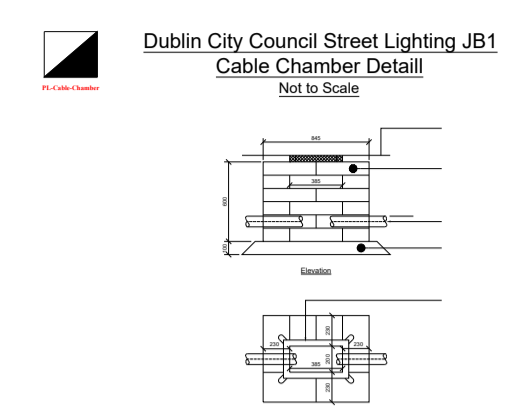


- Luminaire G CFL Asymmetric Input C 4000K Ra70 Qty 3. 8m column. (Qty 1 column twin mounted)
- Luminaire H ALINEA Handrail 5121 - 6 LED 350mA WW Qty 15 modules.

- 1.0 lux
- 3.0 lux
- 5.0 lux



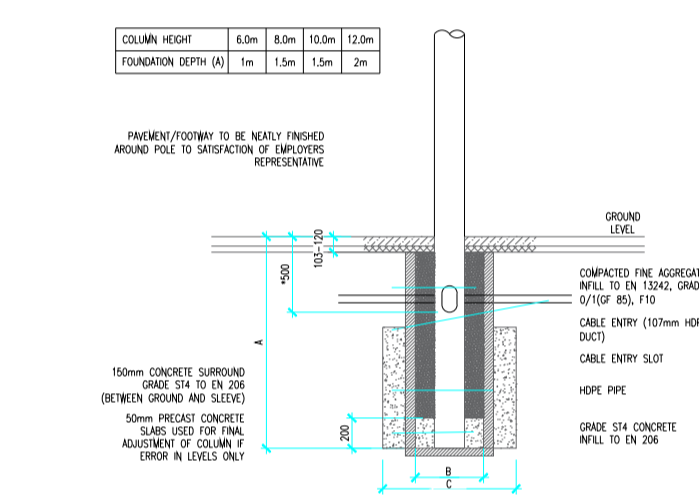
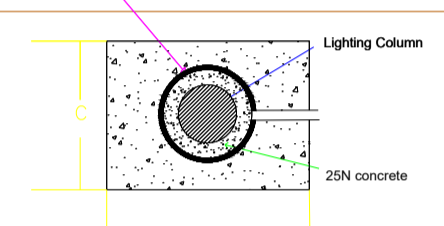
- Luminaire A P862-256-R2E-730-W3-350-88W Qty 17. 10m column.
- Luminaire B P863-128-R2E-730-W3-250-34W Qty 26. 8m column.
- Luminaire C E950-28-F2A-730-C600-16W Qty 15. 6m column.
- Luminaire D E950-28-P4A-730-C600-16W Qty 11. 6m column.
- Luminaire E 150W-SONT+ Existing HID luminaire, estimated photometry & locations.
- Luminaire F E950-28-P4A-730-C330-10W Qty 38. 6m column.
- Luminaire I P863-128-R2E-730-W3-375-49W Qty 4. 8m column.

3x16sq S/WA cable laid in ducting to I.S. 10101:2020. Single wall ducting, colour red to be used manufactured from high density polyethylene (H.D.P.E.), 107mm external diameter, having a wall thickness of 5mm. This ducting to have the words "Street Lighting" stamped on, letter size 8mm at 1m intervals. The lettering to face uppermost in the trench. All works to Local Authority specification. This is a circuit layout and not indicative of where ducts are to be laid. Public Lighting Pillar (located at least 2m from ESB pillar)

Typical Base detail, to be checked by site engineers.

COLUMN MOUNTING HEIGHT	12m	10m	8m	6m
COLUMN ROOT DEPTH	1.9m	1.7m	1.5m	1.0m
CABLE ENTRY DEPTH	0.3m	0.3m	0.3m	0.3m
ROOTING CONCRETE DEPTH				
COLUMN DOOR HEIGHT	1.5m	1.5m	1.5m	1.5m
COLUMN SLEEVE SIZE(mm) internal	450	400	400	300
EXCAVATION (width x length)	1000	800	600	400

Heavy Duty PVC or Concrete pipe to size B



NOTES  
THIS DRAWING IS THE INTELLECTUAL PROPERTY OF Sabre LIGHTING DESIGN DEPT. AND IS COPYRIGHT © AND CAN NOT BE USED WITHOUT PRIOR CONSENT.

NO ACCOUNT IS TAKEN FOR THE BLOCKING EFFECT CAUSED BY BUILDINGS, TREES ETC. THE CALCULATION SHOWN BY THIS DRAWING ASSUMES THAT THE WHOLE AREA BEING CONSIDERED IS IN THE SAME PLANE, I.E. THERE ARE NO CHANGES IN GRADIENT OR ELEVATION.

This drawing layout is based on calculated lighting levels, produced by Sabre Electrical Services Ltd., using Lighting Really software. Any alterations to the layout or luminaire type used for the lighting design calculations, will require a revised lighting design to be carried-out. A design may require approval from the Local Authority Public Lighting Dept. prior to any alterations/modifications being implemented on site.



**ELECTRICAL SERVICES LTD.**  
Specialist Contractors  
PUBLIC LIGHTING - FLOOD LIGHTING - SPORTS LIGHTING

UNIT 11, BELLVUE INDUSTRIAL ESTATE, FINGLAS, DUBLIN 11.  
E-MAIL: graham@sabrelighting.ie PH: 01-811 0875

-	?	GS	CHK	-----
-	?	GS	CHK	-----
-	?	GS	CHK	-----
-	?	GS	CHK	-----
C	Cherry Orchard Green Updated	AN	CHK	19-10-23
B	Updated as per comments	AN	CHK	06-07-23
A	Updated Landscape layout	AN	CHK	04-07-23
REV	DESCRIPTION	INTS	CHK'D	DATE

CLIENT/CUSTOMER  
**Waterman Moylan**

PROJECT  
**LDA Cherry Orchard Phase 1**

TITLE  
**Public Lighting Layout**

DRAWN A.N	SCALE 1:500@A1	DATE 20-06-23
DRAWING NUMBER SES 07323	ISSUE 4	

BASE DRAWING NUMBER  
DRAWING ORIGIN

DO NOT SCALE FROM THIS DRAWING

